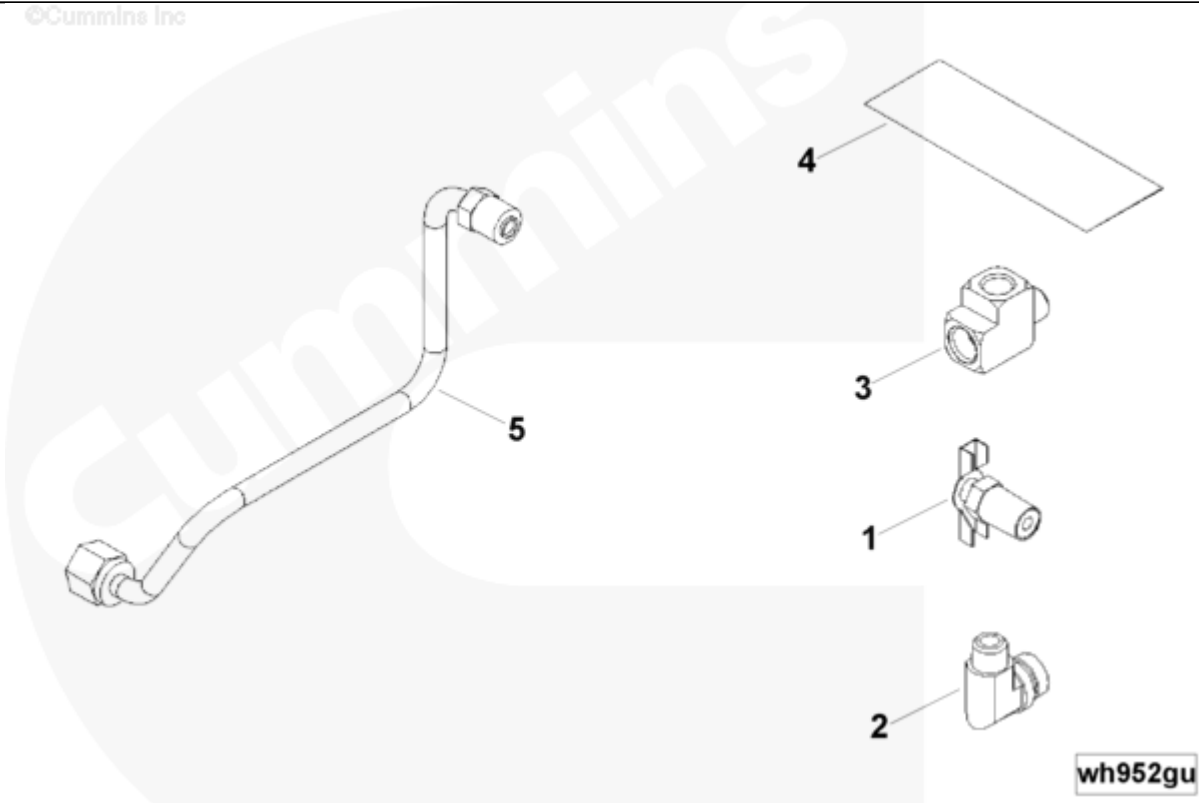




## Parts Catalog - Option Detail

Electronic Parts Catalog - Option Detail				
Option	Group	Graphic	Film Card	Date
WH9015-01	08.13.1	wh952gu	Z	24-OCT-96
<b>Engines</b>	6C8.3, C GAS PLUS CM556, G8.3, G8.3 CM558, GTA8.3 CM558, ISC CM2150, ISC CM554, ISC CM850, ISC8.3 CM2250, ISC8.3 G CM2180 C101, ISL CM2150, ISL CM554, ISL CM850, ISL G CM2180, ISL8.9 CM2150 L110, ISL8.9 CM2880 L112, ISL9 CM2150 SN, ISL9 CM2250, ISL9 CM2350 L101, ISL9 CM2350 L111, ISLE4 CM850, L GAS PLUS CM556, L8.9, L8.9 L121, L8.9G CMOH2.0 L125B, L9 CM2350 L116B, L9 CM2350 L119B, L9 CM2350 L120C, L9 CM2350 L123B, L9.3 L105, L9.5 L117, L9N CM2380 L124B, QSC8.3 CM2250, QSC8.3 CM2880 C102, QSC8.3 CM554, QSC8.3 CM850(CM2850), QSL9 CM2250, QSL9 CM2250 L115, QSL9 CM2350 L102, QSL9 CM2350 L107, QSL9 CM2350 L118, QSL9 CM2350 L122, QSL9 CM554, QSL9 CM850(CM2850), QSL9 G CM558, QSL9 M CM2250 L106, QSL9.3 CM2880 L113			



[SMALL](#) | [MEDIUM](#) | [LARGE](#)

Cart	Ref No	Part Number	Part Description	Required	Remarks
<input type="button" value="View My Cart"/>					
		WH9015-01	Block Vent Plumbing		<a href="#">MR - PLUMBING, BLOCK VENT...(More)</a>
					Cooling System Vent
					Arrangement for C Series
					Marine Engine Configurations

					3921724 Tag to be Attached to
					the 3918497 Connector
					DEP May Use 3283104 in Place
					of 3908763
<input type="checkbox"/>	1	<a href="#">S 962 E</a>	Draincock	1	
<input type="checkbox"/>	2	<a href="#">S 1000 A</a>	Male Adapter Elbow	1	
<input type="checkbox"/>	3	<a href="#">3908763</a>	Plain Adapter Tee	1	
<input type="checkbox"/>	4	<a href="#">3910778</a>	Information Decal	1	
<input type="checkbox"/>	5	<a href="#">3930678</a>	Vent Tube	1	